



ASAHI INFORMATION #43

Date: May 26 2008

To our valued distributors,

NEW MODEL INTRODUCTION OF ASAHI AV BUTTERFLY VALVE TYPE56D ASAHI AV BUTTERFLY VALVE TYPE75D

Specification

- Products:

BUTTERFLY VALVE TYPE56D**BUTTERFLY VALVE TYPE75D**

- Size:

400mm(16"); Butterfly Valve Type56D**450mm(18"), 500mm(20"), 600mm(24"); Type75D**

- Body Material: PDCPD (Basically Solid)

- Seat Materials:

EPDM, FKM, NBR, CSM, FKM-F & FKM-C

- Disc Material: PP or PVDF

400mm(16"); Solid PP or PVDF Discs**450mm(18"), 500mm(20"), 600mm(24"); Metal Inserted PP or PVDF Discs**

- Stem Material: SS403

- Connection Model: Wafer Style (JIS-10K, JWWA, ANSI-150Lb, DIN-PN10)

- Interchangeability: All Interchangeable with Type56 & Type75 Butterfly Valves

- Operation: Gear Style (Spero Gear)

- Feature & Benefits:

1) Same Function as Type56 for Type56D, and Type75 for Type75D

2) SS403 Stem has Full engagement over the entire length of the Disc and is a non-wetted part totally isolated from the media

3) Bubble-Tight Seating

4) Only abrasion resistant, plastic-covered disc "PP or PVDF" for strength and Elastomeric Liner "Seat" are wetted Parts.

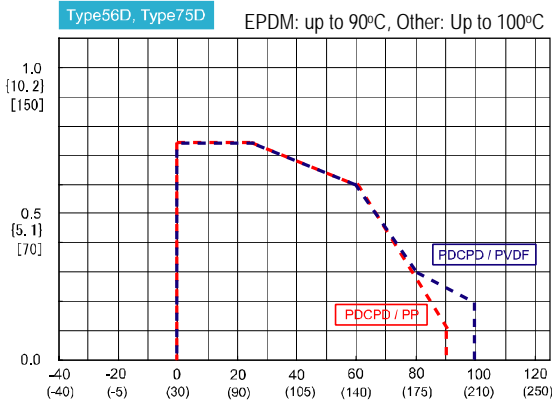
5) ISO5752 Bolt Cycle on the Top Flange for Industrial Standard Accessories
(No Body or Stem Modification Required)

6) Seat over tightening Protection

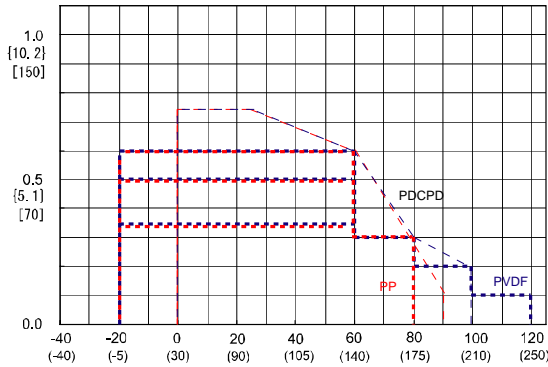




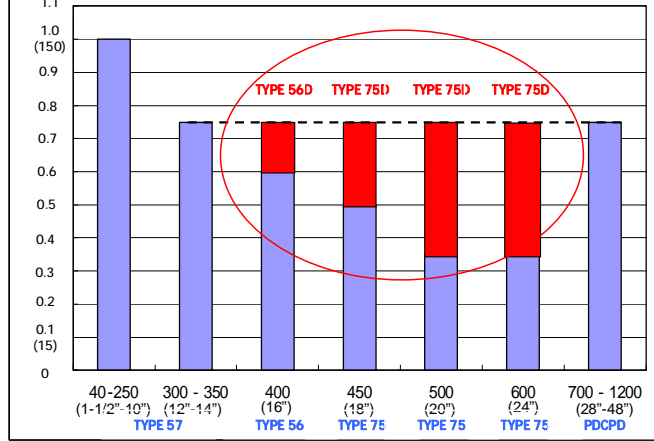
Allowable Working Pressure Vs Temperature



Allowable Working Pressure Vs Temperature
 Type56 & Type75 Vs Type56D & Type75D



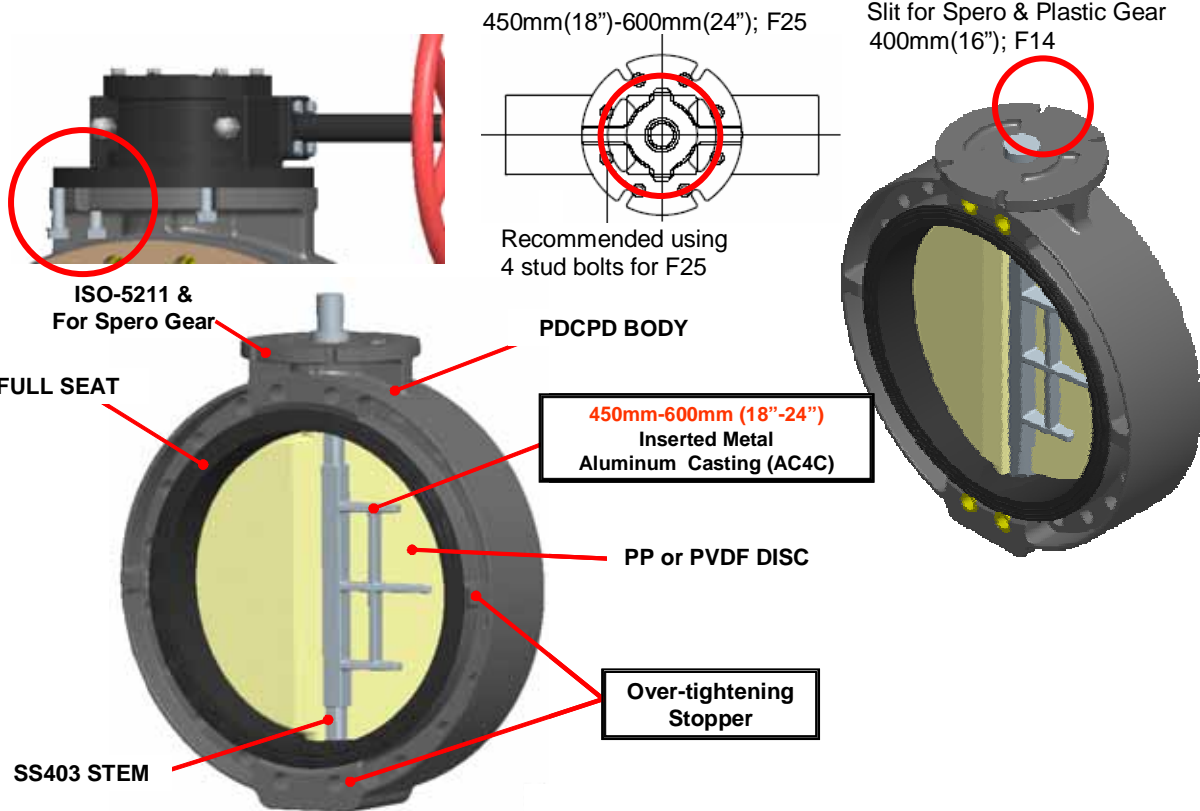
ASAHI AV BUTTERFLY VALVES
 Max Allowable Working Pressure



Max Working Pressure

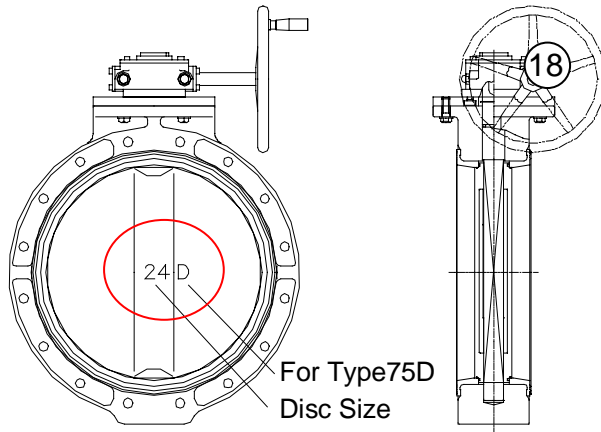
Size	Type56/75	Type56D/75D
400mm (16")	0.6MPa (90psi)	0.75MPa (110psi)
450mm (18")	0.5MPa (75psi)	
500mm (20")	0.35MPa (50psi)	
600mm (24")	0.35MPa (50psi)	

400mm(16")-600mm(24")
 Slit for Spero & Plastic Gear
 400mm(16"); F14





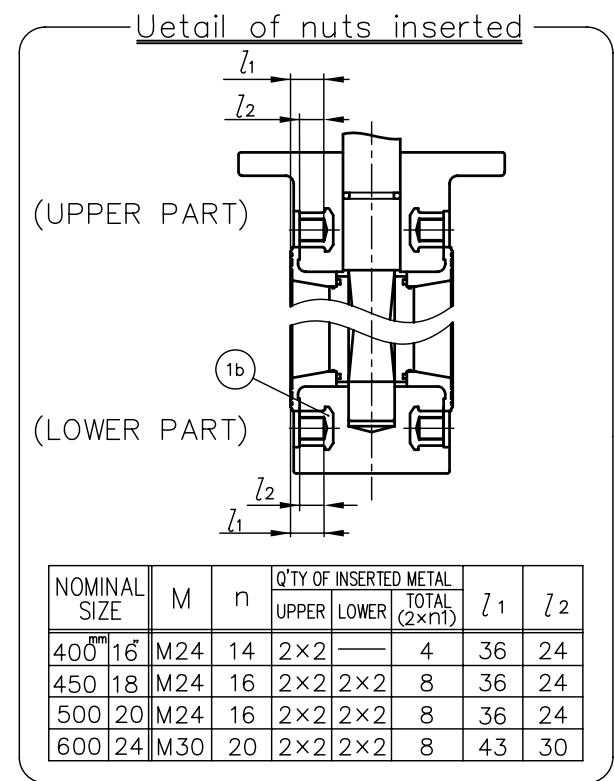
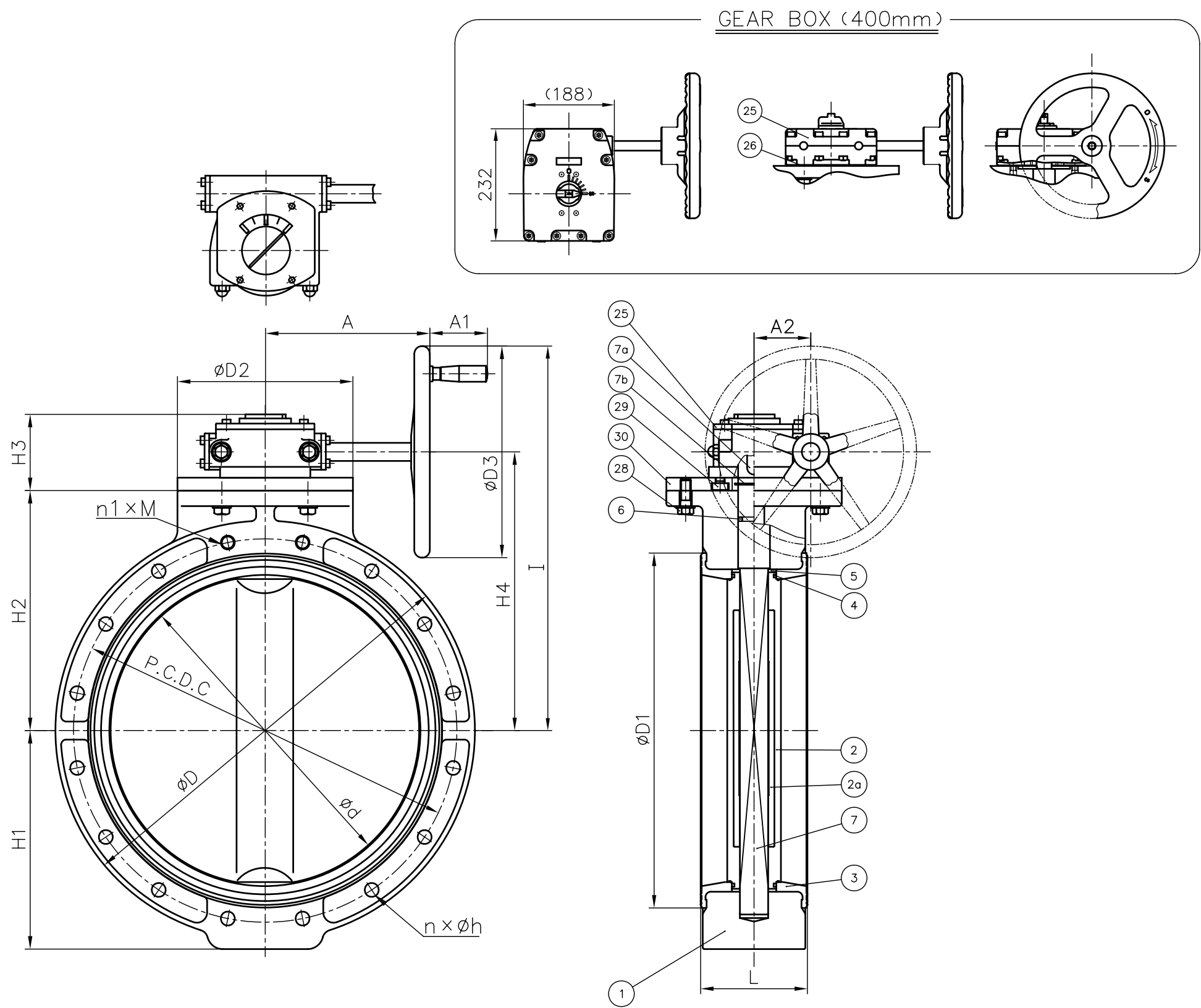
- **SAP Code or Model#:** Please consult with our trading company or a person in charge of AOC Overseas Department
- **Identification:** TYPE56D, TYPE75D on the Box & Product Labels.
- **Disc Molded Parts Identification:** 450mm(18") thru 600mm(24")



- **Assenble DWG#:**
 - JIS-10K; BFM1006JE**
 - DIN-PN10; BFM1006DE**
 - ANSI-150Lb; BFM1006AE**
- **Price:** Same as Completed PP or PVDF Type56 & Type75
Please consult with our trading company or a person in charge of AOC Overseas Department.
- **Catalog Update:**
It will be updated in 2009 Valve and Piping System Catalog.
- **Effective Date:** June 2, 2008 Production

If you have any questions, please consult with our trading company or a person in charge of AOC Overseas Departments.

Overseas Department
Valve and Piping Systems Administration
ASAHI ORGANIC CHEMICALS INDUSTRY CO., LTD.



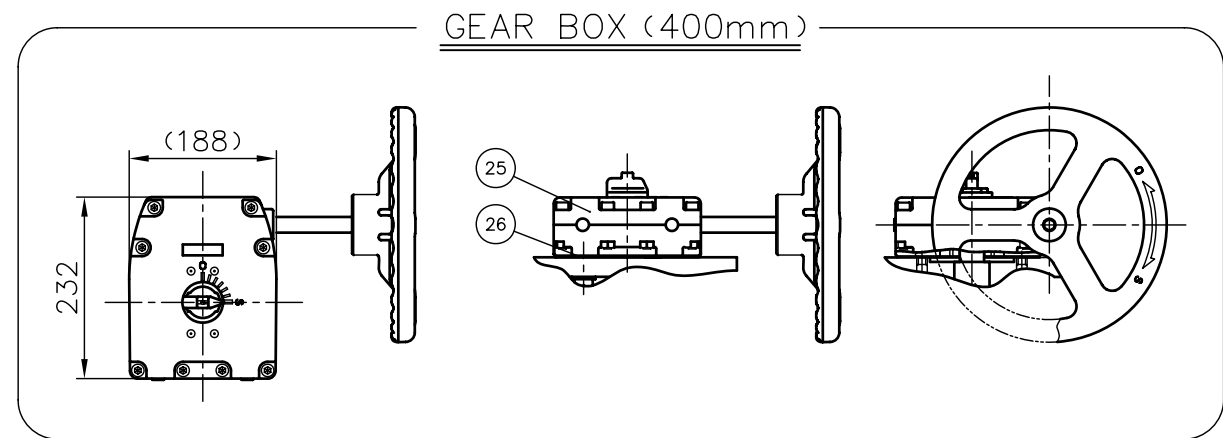
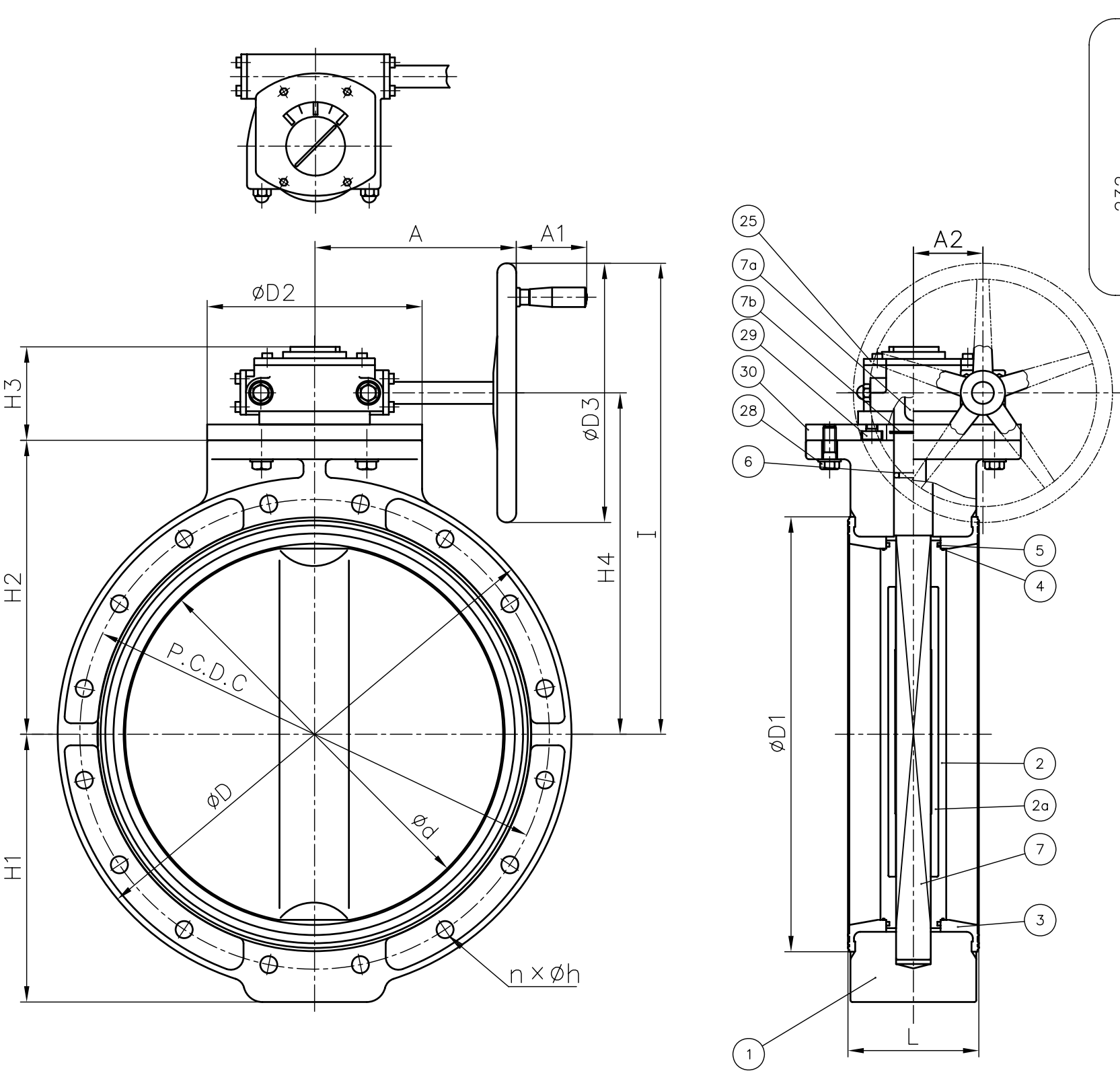
30	STAND	1	STEEL (SS400)	
29	BOLT (D)	4	STAINLESS STEEL (SUS304)	
28	BOLT (C)	4	STAINLESS STEEL (SUS304)	
26	GASKET (A)	1	EPDM	400mm
25	GEAR BOX	1	PLASTIC etc.	400mm
			CAST ALUMINIUM ALLOY FC250(epoxy coat)	450~600mm
7b	SNAP RING	1	STAINLESS STEEL (SUS304)	450mm
7a	KEY (A)	1	CARBON STEEL(S45C)	
7	STEM	1	STAINLESS STEEL (SUS403)	
6	O-RING (C)	1		
5	O-RING (B)	2	□EPDM □FKM □Others ()	
4	O-RING (A)	2		
3	SEAT	1		
2a	DISC INSERT	1	AC4C	450~600mm
2	DISC	1	□PP □PVDF	
1b	INSERTED METAL OF BODY	4	COPPER ALLOY (C3604)	400mm
		8	COPPER ALLOY (C3604)	450~600mm
1	BODY	1	PDCPD	

DIMENSIONS TABLE

NOMINAL SIZE	d	JIS 10K					D	D ₁	D ₂	D ₃	L	H ₁	H ₂	H ₃	H ₄	I	A	A ₁	A ₂	Number of handle rotation	GEAR BOX MODEL No.
		C	n	h	n ₁	M															
400 ^{mm} 16"	406	510	14	27	2	M24	620	470	235	300	169	315	350	108	390	540	272	—	99.2	9.5	TYPE 3
450 18	452	565	16	27	4	M24	665	525	340	410	179	335	370	139	445	650	319	85	110	17	BVG-2H
500 20	502	620	16	27	4	M24	720	575	340	410	190	365	400	139	475	680	319	85	110	17	
600 24	603	730	20	33	4	M30	813	686	340	410	209	424	465	139	540	745	319	85	110	17	

NOTE. Shape and appearance of assembly may differ from this drawing.

No.	DESCRIPTION	QTY.	MATERIAL	REMARKS
ITEM	BUTTERFLY VALVE TYPE 56D,75D ASS'Y SIDE GEAR TYPE: JIS 10K TYPE 56D: 400mm(16") TYPE 75D: 450mm(18")~600mm(24")			
DRAWN	S.Yamashita	DATE	SCALE	
CHECKED	A.Shakagori	MAY.27.2008	DRAWING No.	
APPROVED	Y.Ozaki	BF-M1006JE		△
SPECIAL ORDER No.	ASAHI ORGANIC CHEMICALS INDUSTRY CO.,LTD.			



30	STAND	1	STEEL (SS400)	
29	BOLT (D)	4	STAINLESS STEEL (SUS304)	
28	BOLT (C)	4	STAINLESS STEEL (SUS304)	
26	GASKET (A)	1	EPDM	400mm
25	GEAR BOX	1	PLASTIC etc.	400mm
			CAST ALUMINIUM ALLOY FC250(epoxy coat)	450~ 600mm
7b	SNAP RING	1	STAINLESS STEEL (SUS304)	450mm
7a	KEY (A)	1	CARBON STEEL(S45C)	
7	STEM	1	STAINLESS STEEL (SUS403)	
6	O-RING (C)	1		
5	O-RING (B)	2	<input type="checkbox"/> EPDM <input type="checkbox"/> FKM	
4	O-RING (A)	2	<input type="checkbox"/> Others ()	
3	SEAT	1		
2a	DISC INSERT	1	AC4C	450~600mm
2	DISC	1	<input type="checkbox"/> PP <input type="checkbox"/> PVDF	
1	BODY	1	PDCPD	

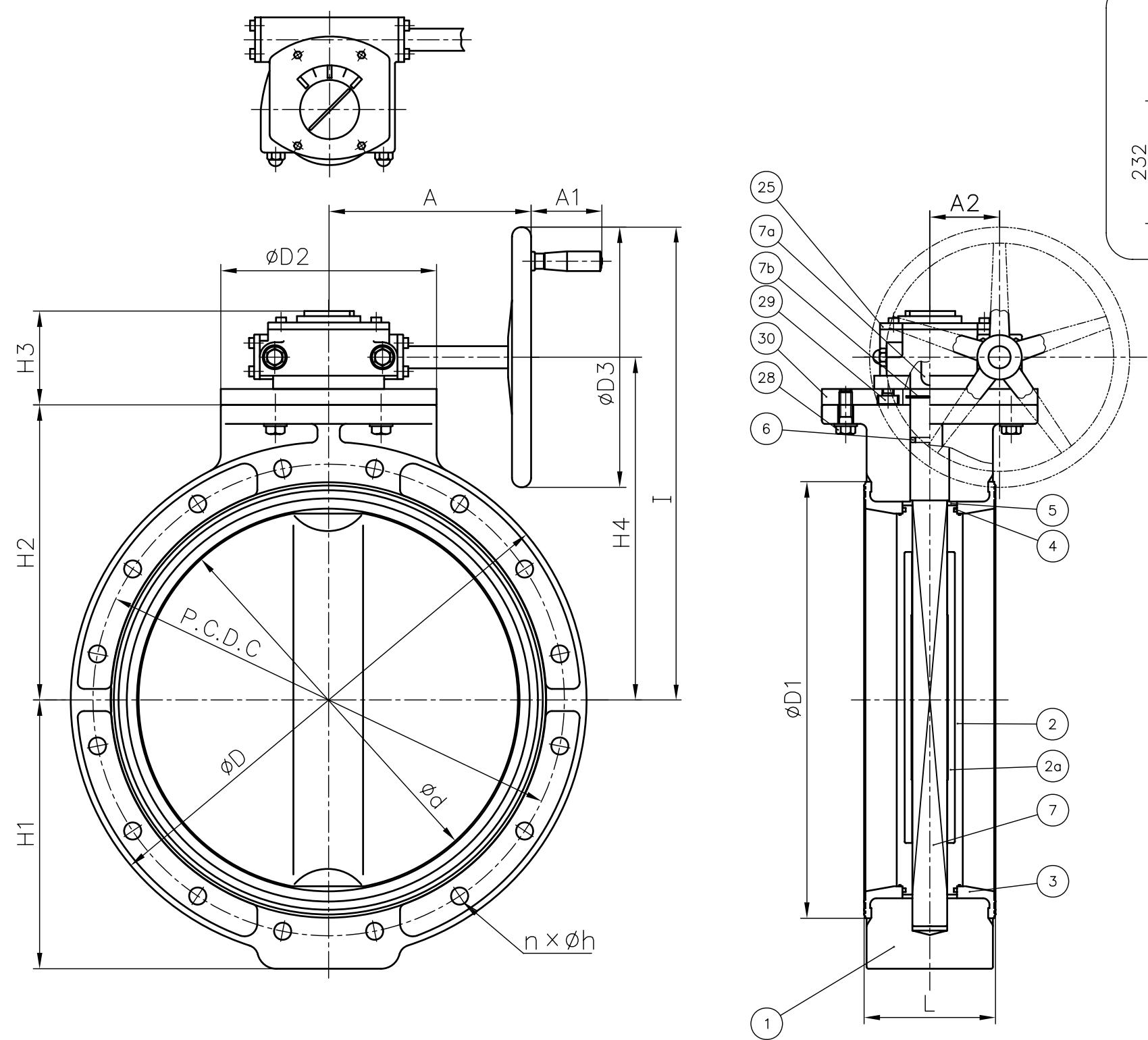
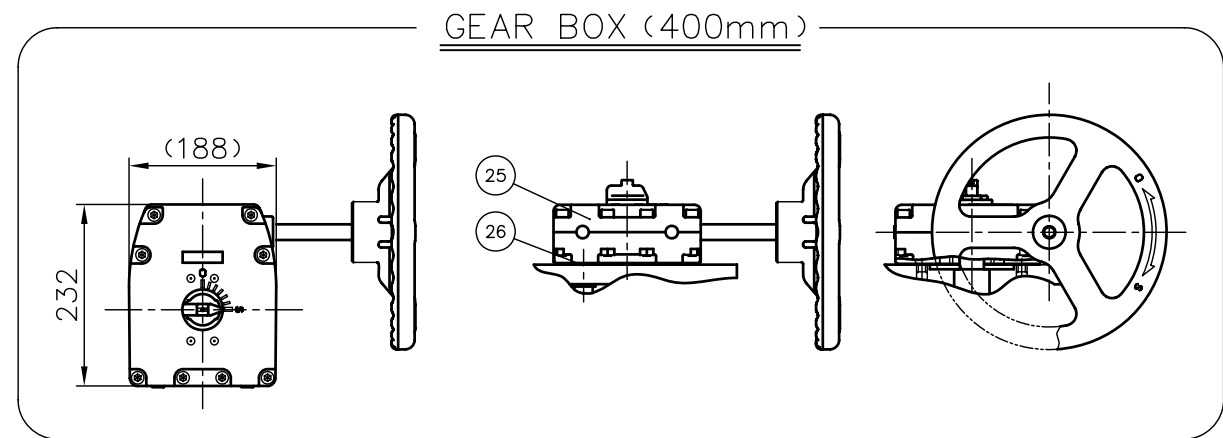
DIMENSIONS TABLE

NOMINAL SIZE	d	ANSI Class 150			D	D ₁	D ₂	D ₃	L	H ₁	H ₂	H ₃	H ₄	I	A	A ₁	A ₂	Number of handle rotation	GEAR BOX MODEL No.
		C	n	h															
16" 400 ^{mm}	15.98	21.26	16	1.12	24.41	18.50	9.25	11.81	6.65	12.40	13.78	4.25	15.35	21.26	10.7	—	3.91	9.5	TYPE 3
18 450	17.80	22.76	20	1.26	26.18	20.67	13.39	16.14	7.05	13.19	14.57	5.47	17.52	25.59	12.56	3.35	4.33	17	BVG-2H
20 500	19.76	25.00	20	1.26	28.35	22.64	13.39	16.14	7.48	14.37	15.75	5.47	18.70	26.77	12.56	3.35	4.33	17	
24 600	23.74	29.53	20	1.38	32.01	27.01	13.39	16.14	8.23	16.69	18.31	5.47	21.26	29.33	12.56	3.35	4.33	17	

UNIT: inch

NOTE. Shape and appearance of assembly may differ from this drawing.

No.	DESCRIPTION	QTY.	MATERIAL	REMARKS
ITEM BUTTERFLY VALVE TYPE 56D,75D ASS'Y SIDE GEAR TYPE: ANSI Class 150 TYPE 56D: 16"(400mm) TYPE 75D: 18"(450mm)~24"(600mm)				
DRAWN	S.Yamashita	DATE	SCALE	
CHECKED	A.Shakagori	MAY.27.2008	DRAWING No.	
APPROVED	Y.Ozaki	BF-M1006AE		
SPECIAL ORDER No.	ASAHI ORGANIC CHEMICALS INDUSTRY CO.,LTD.			



30	STAND	1	STEEL (SS400)	
29	BOLT (D)	4	STAINLESS STEEL (SUS304)	
28	BOLT (C)	4	STAINLESS STEEL (SUS304)	
26	GASKET (A)	1	EPDM	400mm
25	GEAR BOX	1	PLASTIC etc.	400mm
			CAST ALUMINIUM ALLOY FC250(epoxy coat)	450~ 600mm
7b	SNAP RING	1	STAINLESS STEEL (SUS304)	450mm
7a	KEY (A)	1	CARBON STEEL(S45C)	
7	STEM	1	STAINLESS STEEL (SUS403)	
6	O-RING (C)	1		
5	O-RING (B)	2	□EPDM □FKM	
4	O-RING (A)	2	□Others ()	
3	SEAT	1		
2a	DISC INSERT	1	AC4C	450~600mm
2	DISC	1	□PP □PVDF	
1	BODY	1	PDCPD	

DIMENSIONS TABLE

UNIT: mm

NOMINAL SIZE	d	DIN PN 10			D	D ₁	D ₂	D ₃	L	H ₁	H ₂	H ₃	H ₄	I	A	A ₁	A ₂	Number of handle rotation	GEAR BOX MODEL No.
		C	n	h															
400 ^{mm} 16"	406	515	16	26	620	470	235	300	169	315	350	108	390	540	272	—	99.2	9.5	TYPE 3
450	18	452	565	20	26	665	525	340	179	335	370	139	445	650	319	85	110	17	BVG-2H
500	20	502	620	20	26	720	575	340	190	365	400	139	475	680	319	85	110	17	
600	24	603	725	20	30	813	686	340	209	424	465	139	540	745	319	85	110	17	

NOTE. Shape and appearance of assembly may differ from this drawing.

No.	DESCRIPTION	QTY.	MATERIAL	REMARKS
BUTTERFLY VALVE TYPE 56D,75D ASS'Y SIDE GEAR TYPE: DIN TYPE 56D: 400mm(16") TYPE 75D: 450mm(18")~600mm(24")				
DRAWN	S.Yamashita	DATE	SCALE	
CHECKED	A.Shakagori	MAY.27.2008		
APPROVED	Y.Ozaki	DRAWING No.		
		BF-M1006DE		
SPECIAL ORDER No.		ASAHI ORGANIC CHEMICALS INDUSTRY CO.,LTD.		