

Limit switch boxes for pneumatic lift actuators DN 15 - 100

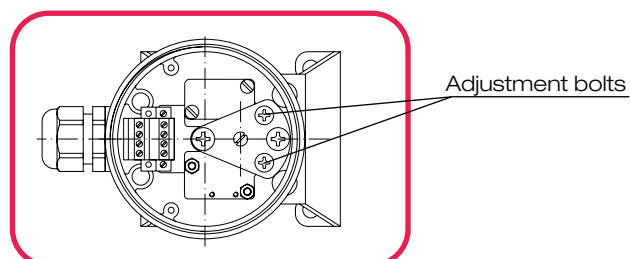


Special features

- Very compact construction
- Room for 2 Micro switches or 2 Proximity switches
- Protection class of switch: IP 65
- Cable gland M20 x 1,5
- Bracket compatible to
 - diaphragm valve type 14 with pneumatic actuator types AN and AP
 - pneumatic diaphragm valve type AI

Adjustment:

The adjustment can be performed by regulation of the adjustment bolts:



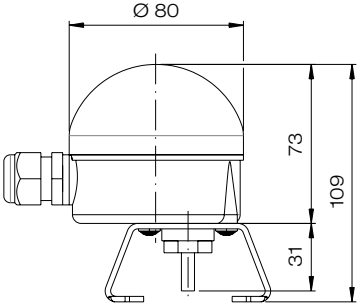
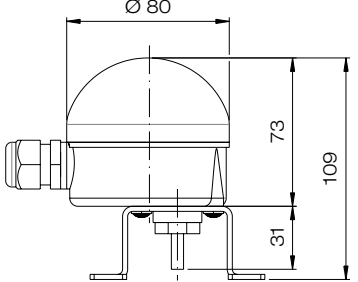
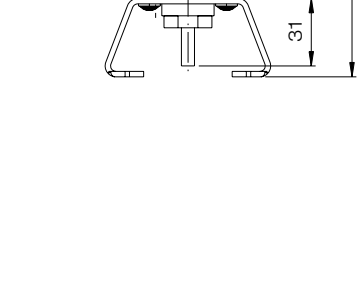
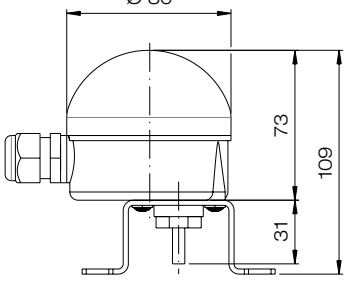
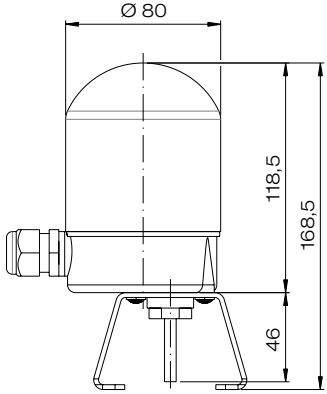
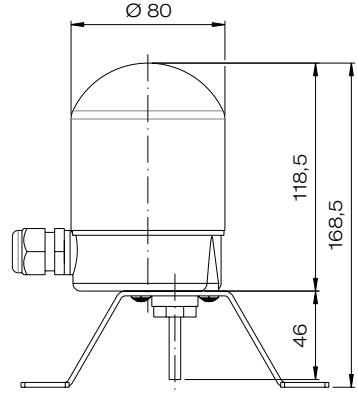
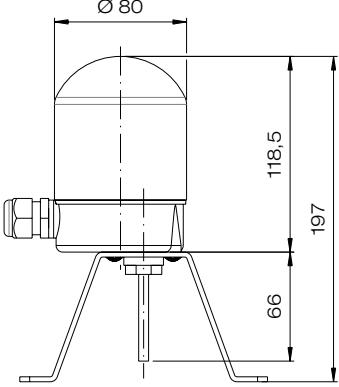
Example for an invitation to tender text:

Limit switch for pneumatic diaphragm valve type 14 AN, DN 40, implemented as 3-wire proximity switch

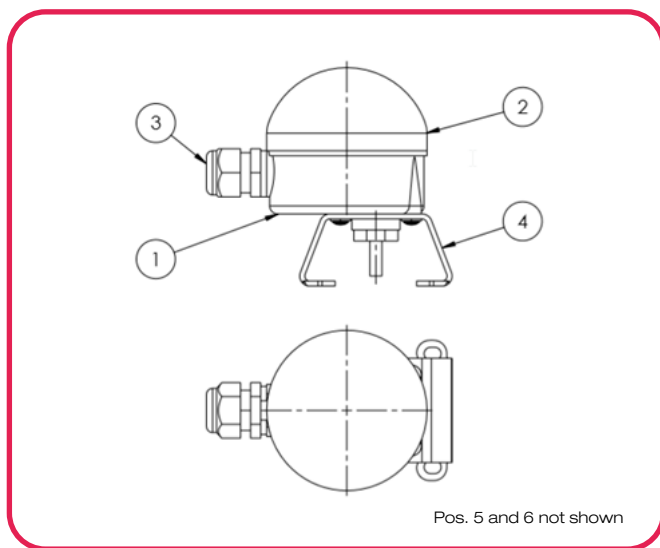
Document: FRANK_DB_L11_Endschalterkästen für pneumatische Hubantriebe DN 15-100_10-2021_EN

Limit switch boxes for pneumatic lift actuators DN 15 - 100

External dimensions limit switch boxes with console (mm)

Nominal size	Pneumatic diaphragm valve type 14 AN	Pneumatic diaphragm valve type AI	Lift
DN 15/20			max. 15 mm
DN 25/32			
DN 40/50			max. 30 mm
Pneumatic diaphragm valve type 14 AP			
DN 65-100			max. 50 mm

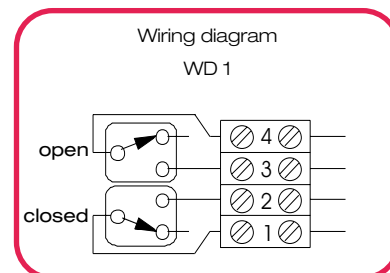
Limit switch boxes for pneumatic lift actuators DN 15 - 100



No.	Description	Material
1	Housing base	Vestamid, black
2	Housing cover	Makrolon, transparent
3	Cable gland M20 x 1,5	PA
4	Bracket	A2 - 1.4301 (SUS 304)
5	Housing seal	EPDM
6	Dust protection	PVC/EPDM (type AN) PC/EPDM (types AI and AP)

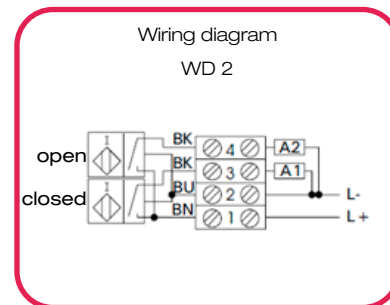
Make / figure
Type
Protection class of switch / specification
Breaking capacity at 250 V AC
Contacts
Service life
Protection class of box / switch
Working temperature of box / switch

Micro switch, mechanical	
Crouzet	83.170.4
Not ex-protected / Changer	5 A
Silver-nickel	3*10 ⁷ cycles
IP 65	-20..70 °C



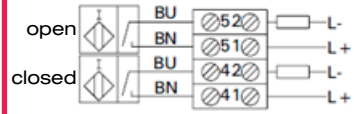
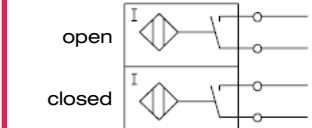
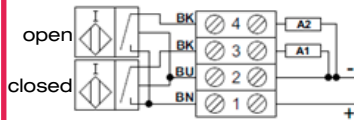
Make / figure
Type
Specification
Operational voltage ¹⁾ / -current
Off-state current / no-load supply current
Voltage drop U _d
Short-circuit protection / Polarity reversal protection
Protection class of box / switch
Working temperature of box / switch
Rated operating distance S _n

Proximity switch, inductive, 3-wire	
Pepperl + Fuchs	NBB2-V3-E2 NBB2-V3-E0
PNP-NO	NPN-NO
10..30 V / 0..100 mA	<=0,5 mA / <=15 mA
<=3 V	<=3 V
Pulsing / yes	IP 65 / IP 67
-20..70 °C	2 mm



¹⁾ resp. nominal voltage

Limit switch boxes for pneumatic lift actuators DN 15 - 100

<p>Make / figure Type Specification Operational voltage¹⁾ / -current Off-state current Voltage drop U_d Short-circuit protection / Polarity reversal protection Protection class of box / switch Working temperature of box / switch Rated operating distance S_n</p>	<p style="text-align: center;">Proximity switch, inductive, 2-wire</p> <p>Pepperl + Fuchs NBB3-V3-Z4 DC-NO 5..60 V / 4..100 mA 0..1 mA ≤ 5 V No / yes IP 65 / IP 67 -20..70 °C 3 mm</p>	<p style="text-align: center;">Wiring diagram WD 4</p> 
<p>Make / figure Type Protection class of switch / specification Nominal voltage Protection class of box / switch Working temperature of box / switch Rated operating distance S_n</p>	<p style="text-align: center;">Proximity switch, inductive, 2-wire</p> <p>Pepperl + Fuchs NJ2-V3-N Ex ia IIC T6 / NAMUR-NC 8 V IP 65 / IP 67 -20..70 °C 2 mm</p>	<p style="text-align: center;">Wiring diagram WD 3</p> 
<p>Make / figure Type Specification Operational voltage¹⁾ / -current Switching frequency Voltage drop U_d Short-circuit protection / Polarity reversal protection Protection class of box / switch Working temperature of box / switch</p>	<p style="text-align: center;">Proximity switch, inductive, 3-wire</p> <p>IFM IS5001 PNP-NO 10..30 V DC / 0..200 mA 0..800 HZ ≤ 5 V Yes / yes IP 65 / IP 67 -25..80 °C</p>	<p style="text-align: center;">Wiring diagram</p> 

¹⁾ resp. nominal voltage