

Diaphragm Valve Type AI (Pneumatic Actuated Type AI) 15mm-50mm(1/2inch-2inch)

Body Material

- PVC
- C-PVC
- PP
- PVDF

Diaphragm Material

- PTFE
- EPDM
- FKM
- Viflon C (FKM-C)
- Viflon F (FKM-F)

Connection Standard

- JIS 10K
- ANSI CLASS150
- DIN PN10

Action

- Double Acting
- Air to Open
- Air to Close

Equipment

Indicator

Option

- Filter Regulator
- Solenoid Valve
- Limit Switch
- Speed Controller
- Positioner



FEATURES

- Excellent Durability**
More than 500,000 times Open and Close.
- Compact Design**
Light Weight and Minimal Overall Height.
- Excellent Corrosion Resistance**
All Wetted Parts are made of Corrosion Resistant Thermoplastics.

OPTIONAL EQUIPMENT

Combination No.	1	2	3	4	5	6	7	8	9
Solenoid Valve ※	○	-	-	○	○	-	○	-	-
Filter Regulator	-	-	-	○	-	-	○	-	○
Speed Controller	◎	○	-	◎	◎	○	◎	-	-
Limit Switch	-	-	○	-	○	○	○	-	-
Positioner (electric-air, ait-air)	-	-	-	-	-	-	-	○	○

◎Indicates specialized for Solenoid Valve.

※With built-in speed controller and bypass valve.

ACTUATOR SPECIFICATION [Double Acting]

Nominal Size mm(inch)	15(1/2inch)	20(3/4inch)	25(1inch)	32(1 1/4inch)	40(1 1/2inch)	50(2inch)
Operating Pressure Mpa(kgf/cm ²)	0.4{4.1} - 0.6{6.1}					
Air Consumption NI /open & close (at operating pressure 0.4NPa)	0.89	0.89	1.29	1.29	4.35	4.80
Air Supply Bore	Rc 1/4					

ACTUATOR SPECIFICATION [Air to Open]

Nominal Size mm(inch)	15(1/2inch)	20(3/4inch)	25(1inch)	32(1 1/4inch)	40(1 1/2inch)	50(2inch)
Operating Pressure Mpa(kgf/cm ²)	0.4{4.1} - 0.6{6.1}					
Air Consumption NI /open & close (at operating pressure 0.4NPa)	0.35	0.35	0.49	0.49	1.73	1.98
Air Supply Bore	Rc 1/4					

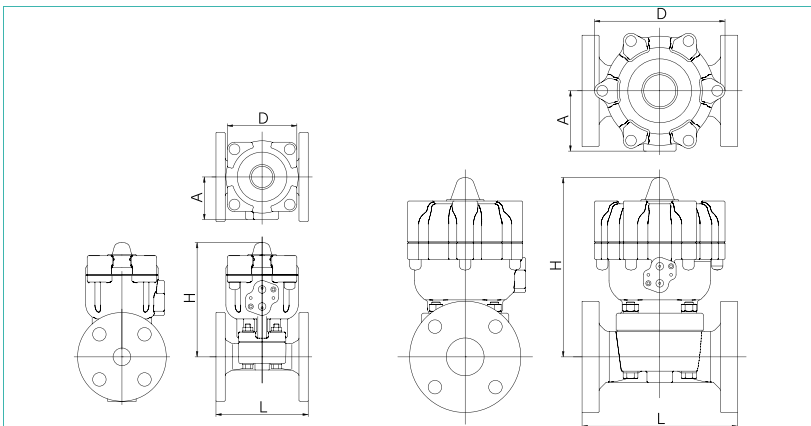
ACTUATOR SPECIFICATION [Air to Close]

Nominal Size mm(inch)	15(1/2inch)	20(3/4inch)	25(1inch)	32(1 1/4inch)	40(1 1/2inch)	50(2inch)
Operating Pressure Mpa(kgf/cm ²)	0.4{4.1} - 0.6{6.1}					
Air Consumption NI /open & close (at operating pressure 0.4NPa)	0.54	0.54	0.79	0.79	2.63	2.82
Air Supply Bore	Rc 1/4					

* for the actuator with lubricant free valves consult near Asahi dealer.



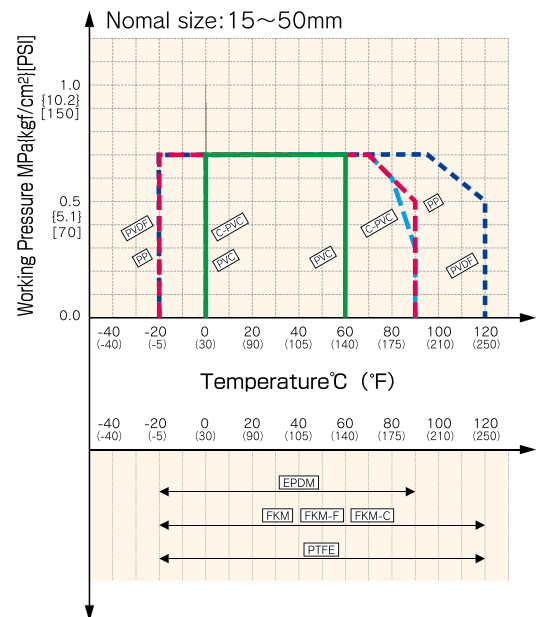
DIMENSIONS FIGURE



DIMENSIONS TABLE

JIS, ANSI, DIN		Unit:mm(JIS,DIN) inch(ANSI)						
Nominal Size		15(1/2)	20(3/4)	25(1)	32(1 1/4)	40(1 1/2)	50(2)	
D	JIS,DIN	91	91	100	100	184	184	
	ANSI	3.58	3.58	3.94	3.94	7.24	7.24	
A	JIS,DIN	55	55	60	60	85	85	
	ANSI	2.17	2.17	2.36	2.36	3.35	3.35	
H	JIS,DIN	145	153	161	165	238	254	
	ANSI	5.71	6.02	6.34	6.50	9.37	10.00	
L	JIS		110	120	130	142	180	210
	DIN		130	150	160	180	200	230
	ANSI	A Standard	4.33	4.72	5.12	-	7.09	8.27
		G Standard	4.25	5.88	5.88	6.38	6.94	7.94

WORKING PRESSURE VS. TEMPERATURE



True Union Diaphragm Valve Type AI (Pneumatic Actuated Type AI) 15mm-50mm(1/2inch-2inch)

Body Material

PVC
C-PVC
PP
PVDF

Diaphragm Material

PTFE
EPDM
FKM
Viflon C (FKM-C)
Viflon F (FKM-F)

Connection Standard

Socket End JIS
Socket End ASTM SCH80
Socket End DIN
Threaded End Rc
Threaded End NPT
Threaded End Rp

Action

Double Acting
Air to Open
Air to Close

Equipment

Indicator

Option

- Filter Regulator
- Solenoid Valve
- Limit Switch
- Speed Controller
- Positioner



FEATURES

- Excellent Durability**
More than 500,000 times Open and Close.
- Compact Design**
Light Weight and Minimal Overall Height.
- Excellent Corrosion Resistance**
All Wetted Parts are made of Corrosion Resistant Thermoplastics.

OPTIONAL EQUIPMENT

Combination No.	1	2	3	4	5	6	7	8	9
Solenoid Valve ※	○	-	-	○	○	-	○	-	-
Filter Regulator	-	-	-	○	-	-	○	-	○
Speed Controller	◎	○	-	◎	◎	○	◎	-	-
Limit Switch	-	-	○	-	○	○	○	-	-
Positioner (Electric-Air, Air-Air)	-	-	-	-	-	-	-	○	○

◎Indicates specialized for Solenoid Valve.

※With built-in speed controller and bypass valve.

ACTUATOR SPECIFICATION [Double Acting]

Nominal Size mm(inch)	15(1/2inch)	20(3/4inch)	25(1inch)	32(1 1/4inch)	40(1 1/2inch)	50(2inch)
Operating Pressure Mpa[kgf/cm ²]	0.4[4.1] - 0.6[6.1]					
Air Consumption NI /Open & Close (at operating pressure 0.4NPa)	0.89	0.89	1.29	1.29	4.35	4.80
Air Supply Bore	Rc 1/4					

ACTUATOR SPECIFICATION [Air to Open]

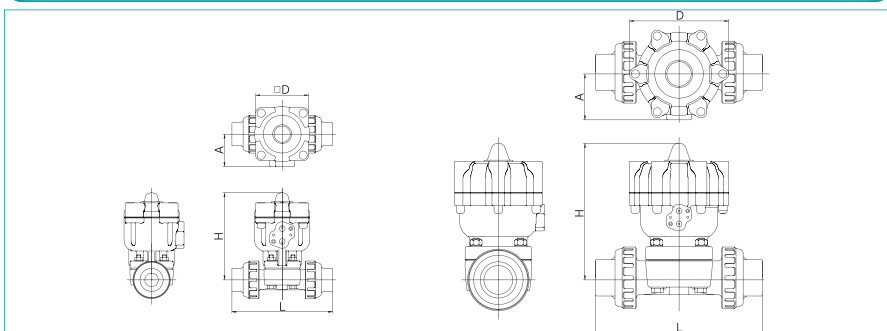
Nominal Size mm(inch)	15(1/2inch)	20(3/4inch)	25(1inch)	32(1 1/4inch)	40(1 1/2inch)	50(2inch)
Operating Pressure Mpa[kgf/cm ²]	0.4[4.1] - 0.6[6.1]					
Air Consumption NI /Open & Close (at operating pressure 0.4NPa)	0.35	0.35	0.49	0.49	1.73	1.98
Air Supply Bore	Rc 1/4					

ACTUATOR SPECIFICATION [Air to Close]

Nominal Size mm(inch)	15(1/2inch)	20(3/4inch)	25(1inch)	32(1 1/4inch)	40(1 1/2inch)	50(2inch)
Operating Pressure Mpa[kgf/cm ²]	0.4[4.1] - 0.6[6.1]					
Air Consumption NI /Open & Close (at operating pressure 0.4NPa)	0.54	0.54	0.79	0.79	2.63	2.82
Air Supply Bore	Rc 1/4					

* for the actuator with lubricant free valves consult near Asahi dealer.

DIMENSIONS FIGURE



DIMENSIONS TABLE

JIS, ANSI, DIN			Unit:mm(JIS,DIN) inch(ANSI)															
Nominal Size			15(1/2)	20(3/4)	25(1)	32(1 1/4)	40(1 1/2)	50(2)	Nominal Size			15(1/2)	20(3/4)	25(1)	32(1 1/4)	40(1 1/2)	50(2)	
D	Common	JIS, DIN	91	91	100	100	184	184	L	Threaded End	PP, PVDF	DIN	128	148	172	188	245	278
		ANSI	3.58	3.58	3.94	3.94	7.24	7.24				ANSI	5.04	5.83	6.77	7.40	9.65	10.95
A	Common	JIS, DIN	55	55	60	60	85	85	Socket End	PVC, C-PVC	JIS	134	156	186	200	271	303	
		ANSI	2.17	2.17	2.36	2.36	3.35	3.35			DIN	128	147	172	188	246	294	
H	Common	JIS, DIN	145	153	161	165	238	254	Spigot End	PP	JIS	134	154	182	-	253	275	
		ANSI	5.71	6.02	6.34	6.50	9.37	10.00			DIN	125	141	164	177	231	274	
L	Threaded End	PVC, C-PVC	JIS	128	148	172	188	245	281	PP, PVDF	PP, PVDF	ANSI	5.43	6.09	7.24	7.80	10.28	11.54
			DIN	128	148	172	188	245	281			PVC	JIS	150	172	195	212	276
	PP, PVDF	JIS	128	148	172	188	245	278	PP, PVDF	PP, PVDF	DIN	150	172	195	212	276	307	
		ANSI	5.04	5.83	6.77	7.40	9.65	11.06										

WORKING PRESSURE VS. TEMPERATURE

