

BUTTERFLY VALVE TYPE 55IS

- FACE-TO-FACE DIMENSION COMPLIANT WITH INTERNAL ISO SHORT STANDARD
- HIGH CHEMICAL RESISTANCE IN ADDITION TO EXCELLENT HEAT AND COLD RESISTANCE ALLOWING FOR USE AT -20 TO 100°C

BASIC SPECIFICATIONS

VALVE TYPE ————— **BUTTERFLY VALVE TYPE 55IS**

SIZE / LEVER TYPE ————— **50 mm—125 mm (2 inch—5 inch)**

GEAR TYPE ————— **50 mm—200 mm(2 inch—8 inch)**

BODY MATERIAL ————— **FCD450 (EPOXY POWDER COATING)**

SEAL MATERIAL / SEAT ————— **PTFE**

CONNECTION / WAFER ————— **JIS10K, JIS5K, DIN, ANSI**

	FLUID TEMPERATURE	MAXIMUM WORKING PRESSURE (NORMAL TEMPERATURE) MPa(kgf/cm ²)
FCD450	-20°C ~ 100°C	1.0 {10.2}

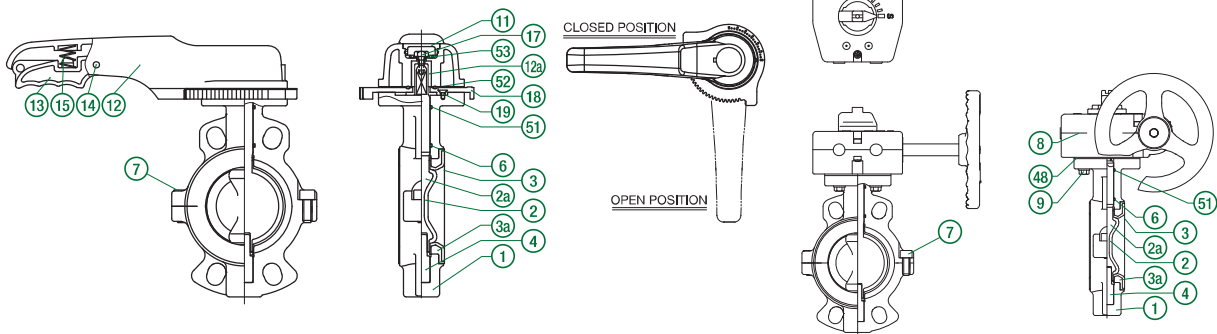
NOTE The maximum working pressure is the value including the water hammer pressure. Be careful that the maximum working pressure is not exceeded during use.
 * Concerning the allowable pressure for each temperature and material, see the technical documents at the end of this catalog.



PARTS LIST [MANUAL](#)

[LEVER TYPE]

[GEAR TYPE]



PART NO. / NAME	QTY	MATERIAL
①BODY	1	FCD450 (EPOXY POWDER COATING)
②DISC	1	PTFE
②a)DISC INSERT	1	SUS304
③SEAT	1	PTFE
③a)SEAT CUSHION	1	CR
④STEM	1	SUS304
⑥O-RING	1	EPDM
⑤)O-RING (B)	1	NBR

ONLY USED FOR LEVER TYPE

PART NO. / NAME	QTY	MATERIAL	PART NO. / NAME	QTY	MATERIAL
⑦BOLT (A)	2	SUS304	⑮SPRING	1	SUS304
⑪CAP	1	PP	⑰BOLT (C)	1	SUS304
⑫HANDLE	1	PP	⑱LOCKING PLATE	1	PPG
⑫a)EMBEDDED HANDLE FITTING	1	SUS316	⑲)SET SCREW (A)	4	SUS304
⑬HANDLE LEVER	1	PPG	⑳O-RING (C)	1	EPDM
⑭PIN	1	PPG	⑳)WASHER WITH RUBBER	1	SUS304+EPDM

ONLY USED FOR GEAR TYPE

PART NO. / NAME	QTY	MATERIAL
⑦BOLT (A)	-	SUS304 (50~125mm:2 150mm:4)
⑧GEAR BOX	1	RESIN, etc.
⑨BOLT (B)	4	SUS304
④a)GASKET (C)	1	EPDM

SPECIFICATION LIST [MANUAL](#)

LEVER TYPE	SIDE GEAR TYPE	TOP GEAR TYPE	
○	○	—	
CHAIN TYPE	LONG STEM TYPE	FLOAT TYPE	WITH LIMIT SWITCH
—	—	—	○

* For other specifications, contact our sales office in your area.

PRODUCT MODEL
CODE LIST
MANUAL

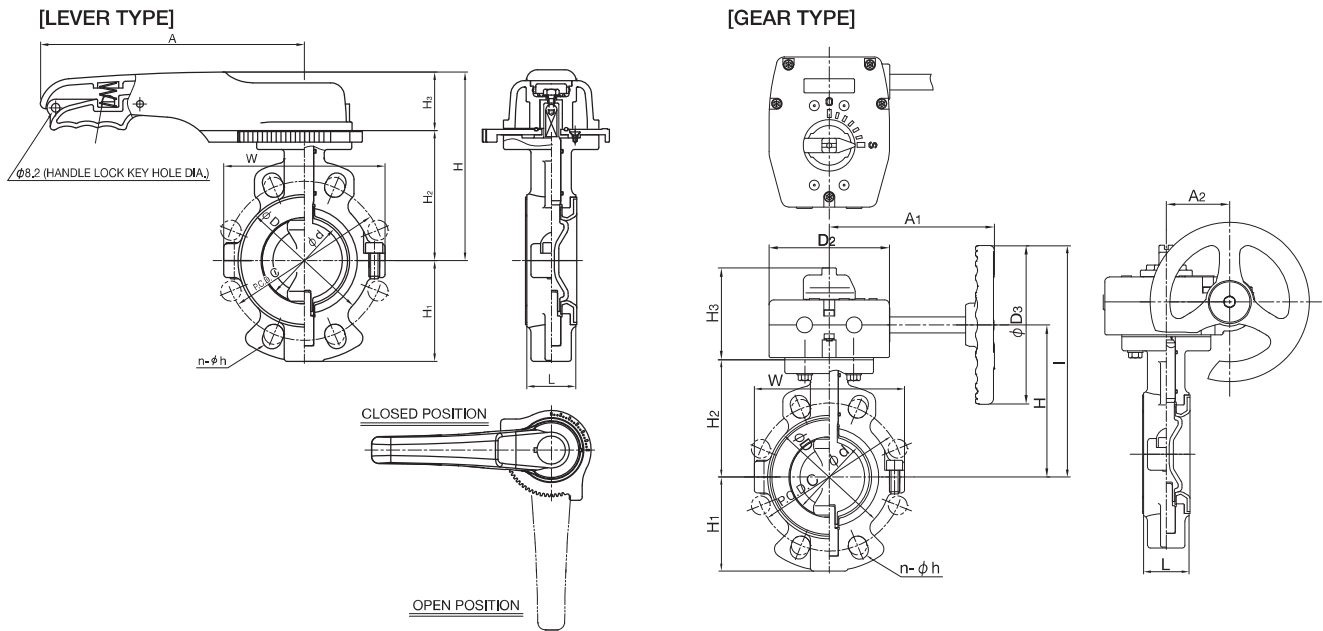
ACTUATION	TYPE	OPERATING SYSTEM	BODY MATERIAL	SEAL MATERIAL	CONNECTION	STANDARD	SIZE
V	5S	**	4	T	W	*	***
V MANUAL VALVE	5S TYPE 55IS	LV LEVER TYPE SG SIDE GEAR TYPE	4 FCD450	T PTFE	W WAFER	1 JIS10K 5 JIS5K D DIN A ANSI	050 50mm 200 200mm

MANUAL

BUTTERFLY VALVE TYPE 55IS

TYPE—V5SLV, V5SSG

CONNECTION / WAFER—JIS, DIN, ANSI



■ JIS, DIN (Unit: mm)

mm	d	D	L	H		H ₁	H ₂		H ₃		I	W	A	A ₁	A ₂	HANDLE ROTATION	JIS5K			JIS10K			DIN PN10		
				LEVER TYPE	GEAR TYPE		C	n	h	C							n	h	C	n	h				
50	55	90	43	161	135	61	105	100	56	92	215	116	220	167	64	9.5	105	2(4)	15	120	2(4)	19	125	2(4)	18
65	65	110	46	176	150	80	120	115	56	92	230	146	220	167	64		130	2(4)	15	140	2(4)	19	145	2(4)	18
80	80	125	46	180	154	95	124	119	56	92	234	152	250	167	64		145	-(4)	19	150	4(8)	19	160	4(8)	18
100	100	154	52	196	170	103	140	135	56	92	250	174	250	167	64		165	4(8)	19	175	4(8)	19	180	4(8)	18
125	125	181	56	235	193	120	166	158	69	92	273	206	320	167	64		200	4(8)	19	210	4(8)	23	210	4(8)	18
150	150	211	56	-	210	137	-	175	-	92	290	236	-	167	64		230	4(8)	19	240	4(8)	23	240	4(8)	22
200	191	257	60	-	240	163	-	205	-	92	320	290	-	167	64		280	4(8)	23	290	4(12)	23	295	4(8)	22

■ ANSI (Unit: inch)

inch	mm	d	D	L	H		H ₁	H ₂		H ₃		I	W	A	A ₁	A ₂	HANDLE ROTATION	ANSI CLASS 150			GEAR BOX TYPE
					LEVER TYPE	GEAR TYPE		C	n	h											
2	50	2.17	3.54	1.69	6.34	5.31	2.40	4.13	3.94	2.20	3.62	8.46	4.57	8.66	6.57	2.52	9.5	4.75	2(4)	0.75	TYPE1
2 1/2	65	2.56	4.33	1.81	6.93	5.91	3.15	4.72	4.53	2.20	3.62	9.06	5.75	8.66	6.57	2.52		5.49	2(4)	0.75	
3	80	3.15	4.92	1.81	7.09	6.06	3.74	4.88	4.69	2.20	3.62	9.21	5.98	9.84	6.57	2.52		6.00	-(4)	0.75	
4	100	3.94	6.06	2.05	7.72	6.69	4.06	5.51	5.31	2.20	3.62	9.84	6.85	9.84	6.57	2.52		7.50	4(8)	0.75	
5	125	4.92	7.13	2.20	9.25	7.60	4.72	6.54	6.22	2.72	3.62	10.75	8.11	12.60	6.57	2.52		8.50	4(8)	0.88	
6	150	5.91	8.31	2.20	-	8.27	5.39	-	6.89	-	3.62	11.42	9.29	-	6.57	2.52		9.50	4(8)	0.88	
8	200	7.52	10.12	2.36	-	9.45	6.42	-	8.07	-	3.62	12.60	11.42	-	6.57	2.52		11.75	4(8)	0.88	